



On/Off Temperature Controllers for type K or PT100 sensors

- 0 to 200°C type K sensor Stock No. 344-546
- ✓ 0 to 400°C type K sensor Stock No. 344-552 ←
- 0 to 800°C type K sensor Stock No. 344-568
- 50 to 150°C PT100 sensor Stock No. 344-596
- 0 to 100°C PT100 sensor Stock No. 344-619

ELECTRICAL CONNECTIONS

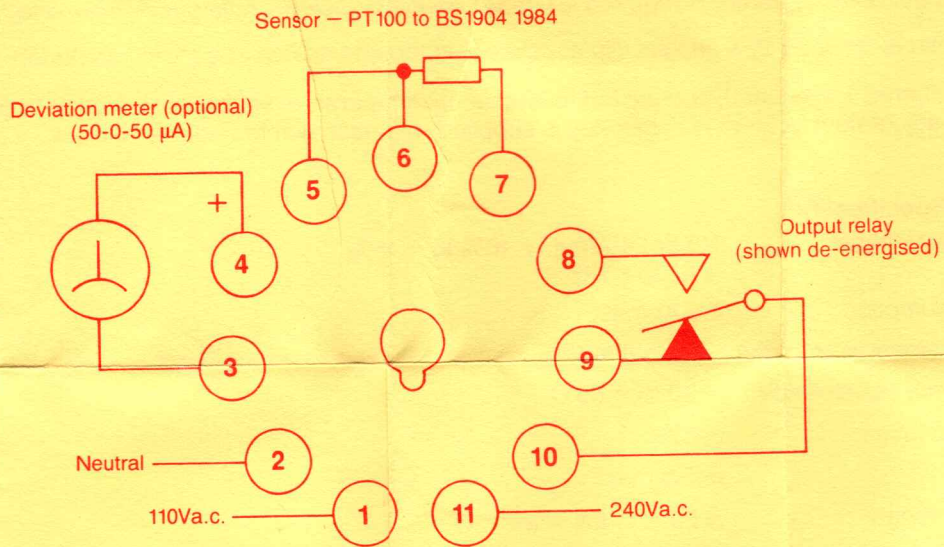


Figure 1

PT100 input - 344-596 and 344-619

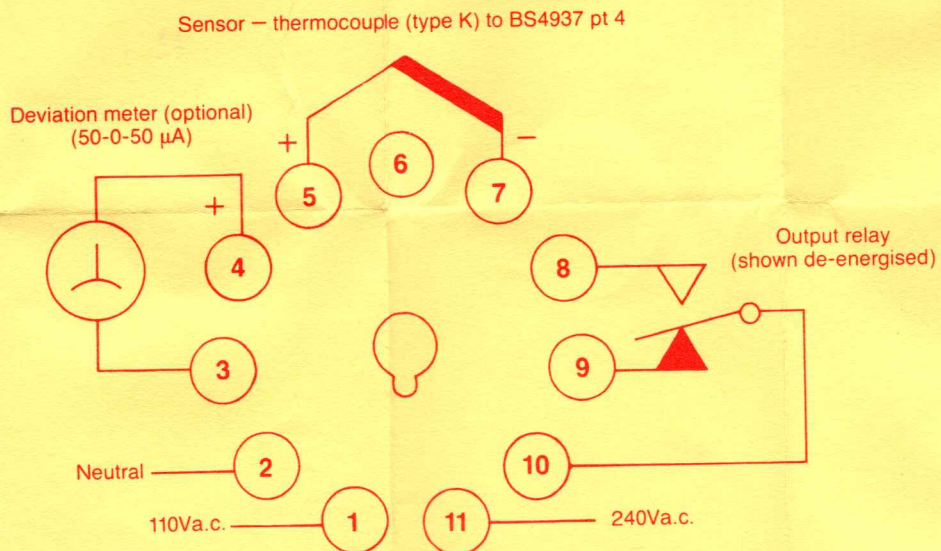


Figure 2

Type K input - 344-546, 344-552 and 344-568
Use RS free socket Stock No. 402-721

CASE DIMENSIONS AND MOUNTING DETAILS

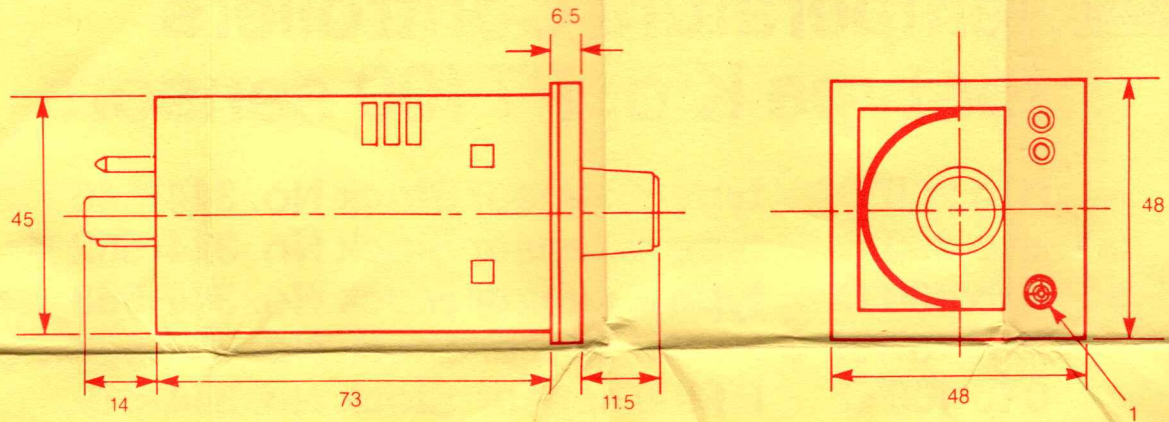


Figure 3

A panel cut out of 45 by 45mm is required for panel mounting (use **RS** hole punch 600-048).

The controller is retained by a special clip supplied with the unit and can be fitted into panels up to 10mm thick.

A lock, numbered 1 in figure 3, is provided to enable the temperature setting to be locked to prevent tampering or accidental adjustment. A 2mm A.F. hex key is supplied with each unit to operate this lock.

Technical Specification

Supply requirements	110 or 240Va.c. + 10% to - 15% @ 47 to 63Hz
Power consumption	4 V.A. max.
Operating temperature range	- 10 to + 50°C
Storage temperature range	- 20 to + 85°C
Electrical isolation	3.75kV
Weight	0.2kg max.
Dev. meter range	± 20% of full scale
Output relay current	5A @ 240Va.c. or 30Vd.c. resistive
Accuracy	± 2% of full scale
Operational hysteresis	0.5% of full scale